

WSW-V WHITE SIDEWALL BUFFING MACHINE

OFF-LINE VERTICAL MACHINE
for car and light truck tyres



15"
IPC color
touch
screen

Recipe
controlled
bead width
adj.

Recipe
controlled
buffing unit

Profilometer
to enhance
recipe
creation



MACCHINE PER PNEUMATICI E PER I PROCESSI DI RICOSTRUZIONE
EQUIPMENT FOR THE TYRE AND RETREADING INDUSTRIES

matteuzzi srl

Via Serra, 1/E - 3

40012 CALDERARA DI RENO, ITALY

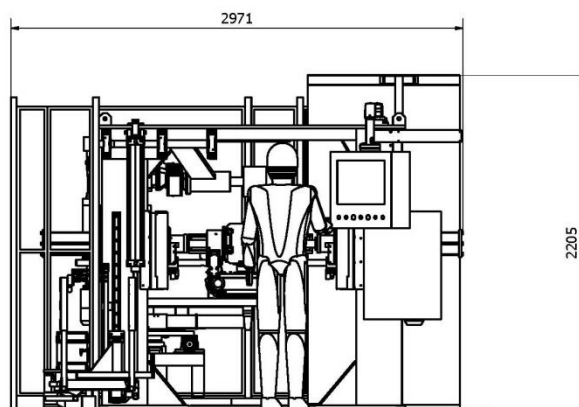
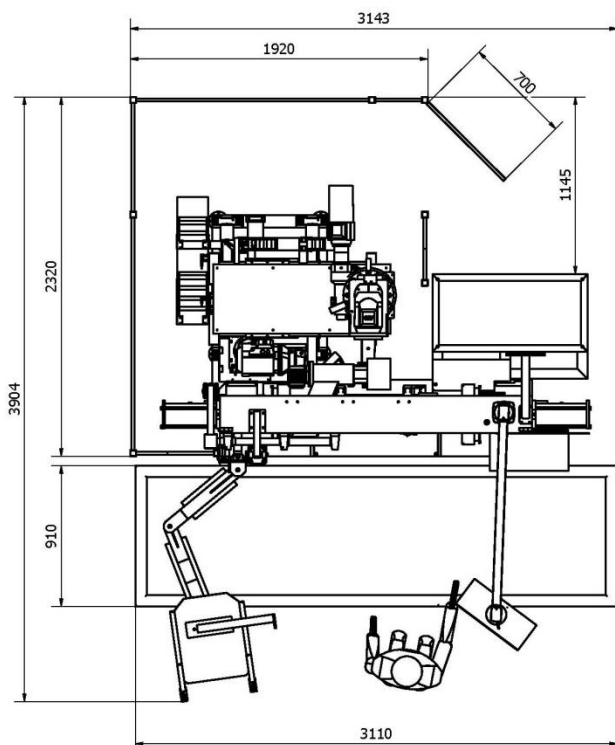
Phone ++39 - 051726351

matteuzzi@matteuzzi-srl.com - www.matteuzzi-srl.com

WSW-V WHITE SIDEWALL BUFFING MACHINE

DIMENSIONI DELLA MACCHINA IN SERVIZIO

■ DIMENSIONS OF THE MACHINE IN SERVICE



Adatta per pneumatici aventi le seguenti misure:

Diametro di calettamento dal 15" al 25"

Diametro esterno: da 500 a 1000 mm.

Sezione massima: 360 mm.

Larghezza di calettamento: da 4" a 12"

Peso massimo: 40 kg.

Suitable for tyres included in the following size range:

- *Bead diameter: 15" to 25"*
- *Outer diameter range: 500 to 1000 mm.*
- *Max. cross section: 360 mm.*
- *Bead width setting: 4" to 12"*
- *Max. weight: 40 kgs*

Due to a policy of continuous improvement, the machine may differ from the images shown