

RAS 20-R

PEELING MACHINE FOR TRUCK TYRES
with manual buffing and brushing arm



peeling unit
at machine rear side



matteuzzi srl

macchine per pneumatici e per i processi di ricostruzione
equipment for the tyre and retreading industries

matteuzzi srl

VIA SERRA 1/E,
40012 CALDERARA DI RENO,
BOLOGNA, ITALY

TEL. ++39 - 051726351

FAX ++39 - 051726283

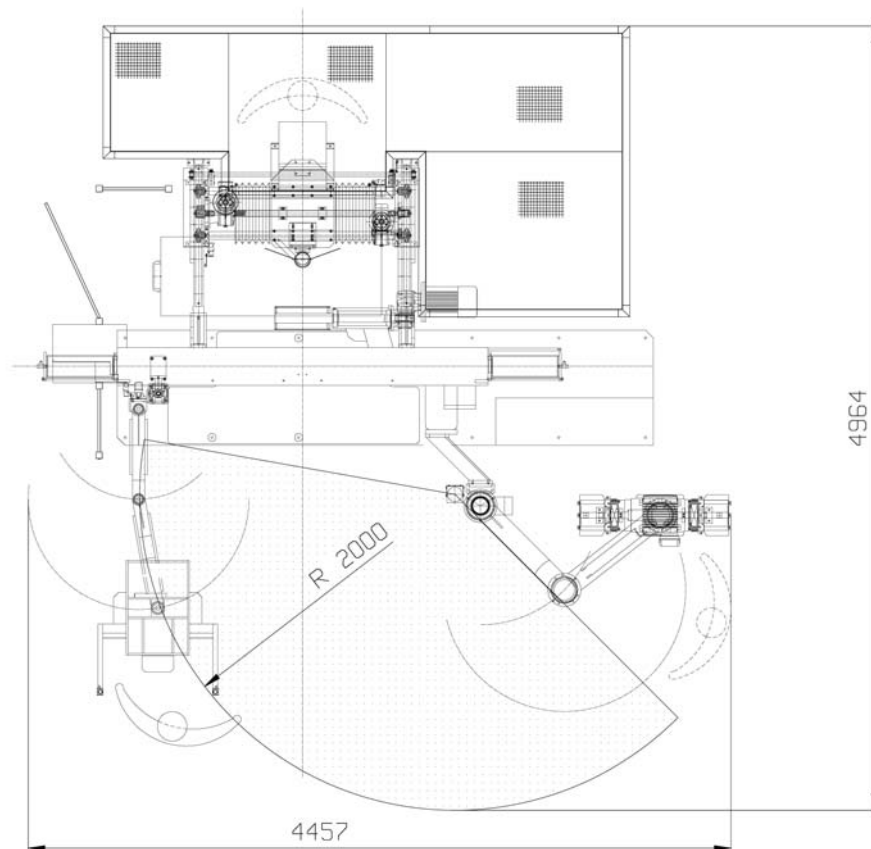
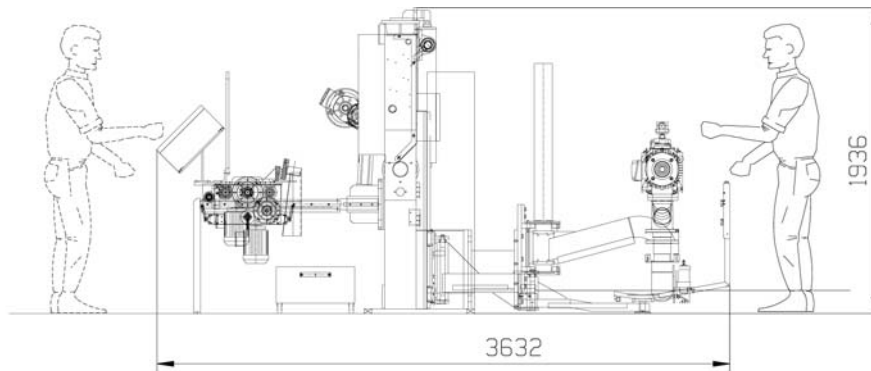
web: www.matteuzzi-srl.com

e-mail: matteuzzi@matteuzzi-srl.com

RAS 20-R

PEELING MACHINE FOR TRUCK TYRES *with manual buffing and brushing arm*

dimensions of the machine in service



floor to floor average output	15÷18 tyre casings per hour
total installed power	15 kw
compressed air supply	8 bar (120 PSI)
compressed air absorption	600 NL per cycle
net weight	2700 kg