

RAS 80 RASPATRICE AUTOMATICA AUTOMATIC BUFFING MACHINE



MACCHINE PER PNEUMATICI E PER I PROCESSI DI RICOSTRUZIONE
EQUIPMENT FOR THE TYRE AND RETREADING INDUSTRIES

matteuzzi srl

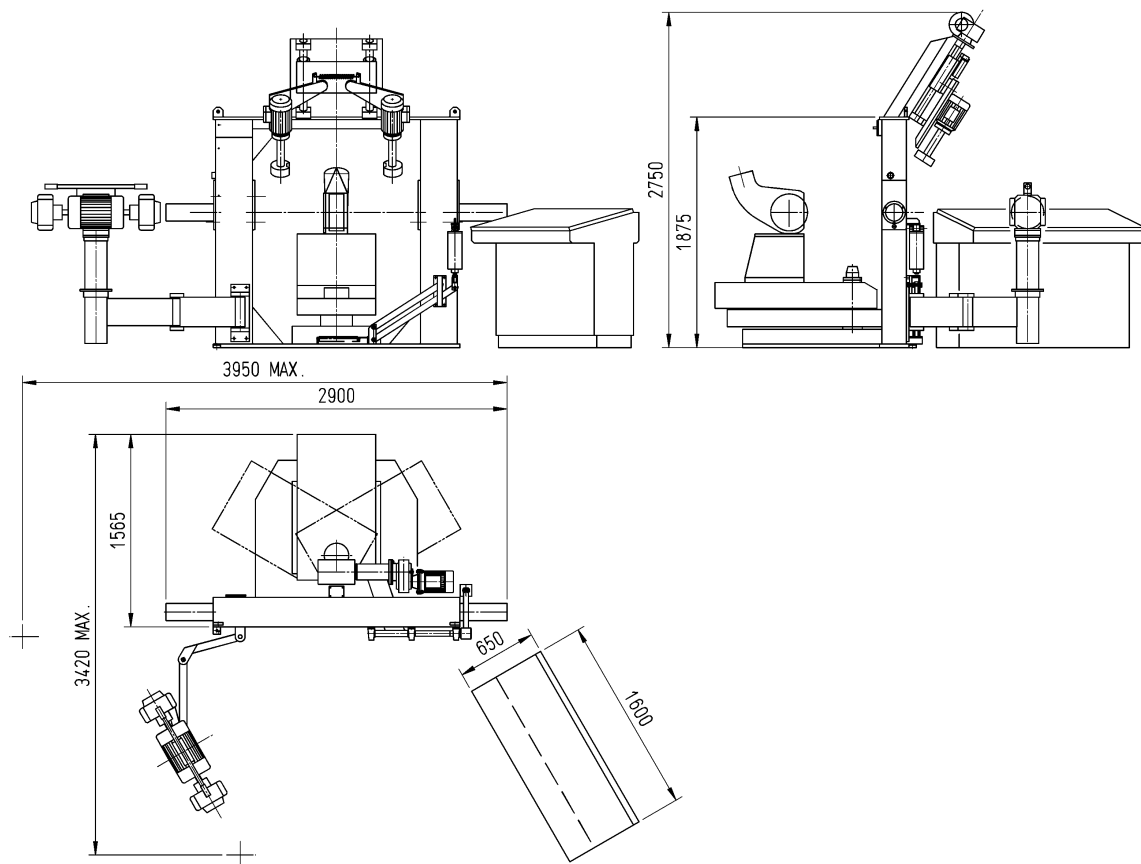
Via Serra, 1/E - 3
40012 CALDERARA DI RENO, ITALY
Phone ++39 - 051726351

matteuzzi@matteuzzi-srl.com - www.matteuzzi-srl.com

RAS 80

RASPATRICE AUTOMATICA AUTOMATIC BUFFING MACHINE

dimensions of the machine in service



floor to floor average output	20÷25 tyre casings per hour
total installed power	46.5 hp (34 kw) includes 30 hp rasp head motor and 12.5 hp articulated manual buffing/brushing arm
compressed air supply	8 bar (120 PSI)
compressed air absorption	600 N. litres per cycle
net weight	2910 kg
