

G100 - XL

INFLATION TESTING MACHINE FOR TRUCK TYRES



machine complete with booth and tyre lifter



MACCHINE PER PNEUMATICI E PER I PROCESSI DI RICOSTRUZIONE
EQUIPMENT FOR THE TYRE AND RETREADING INDUSTRIES

matteuzzi srl

Via Serra, 1/E
40012 CALDERARA DI RENO, ITALY
Phone ++39 - 051726351

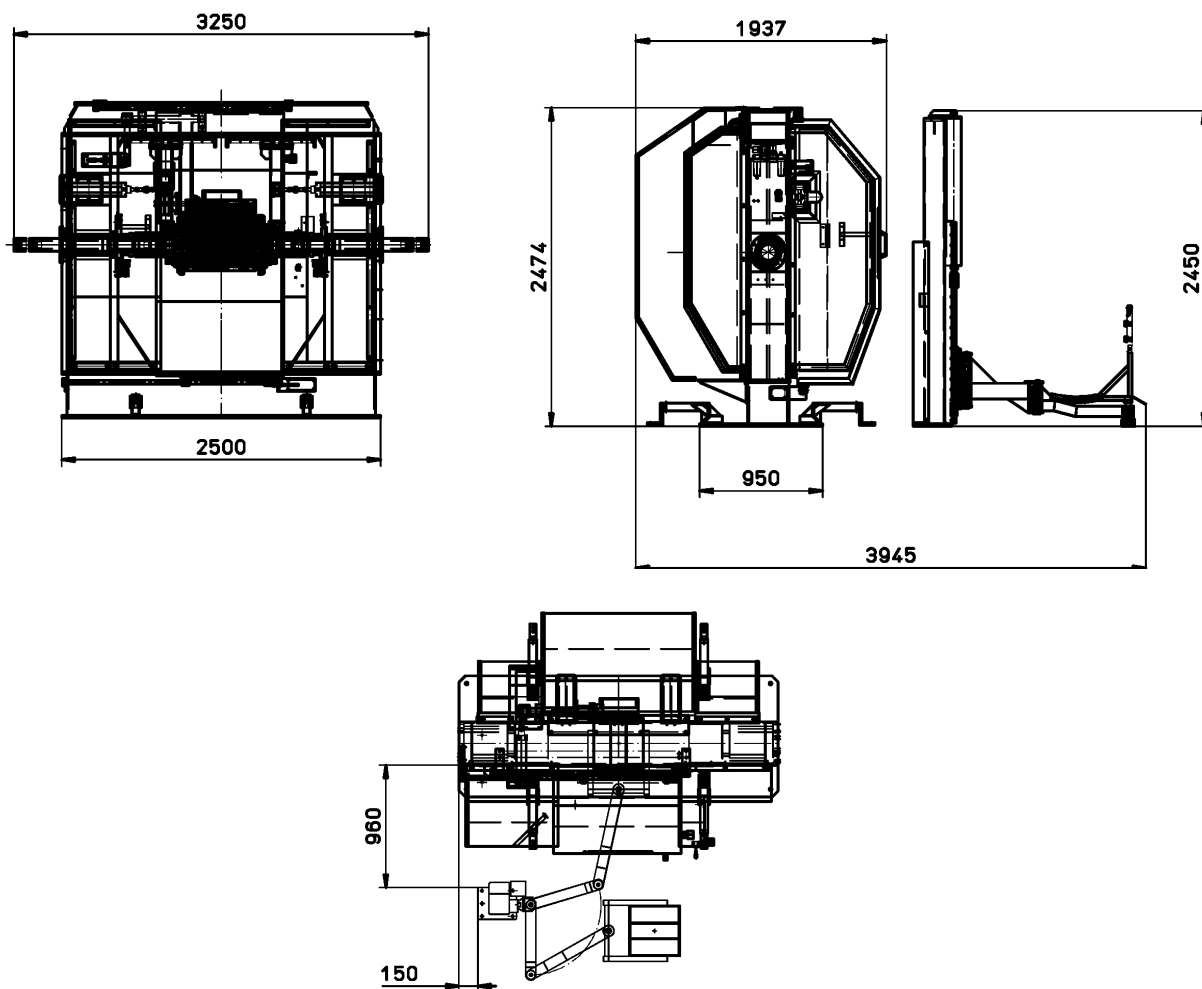
matteuzzi@matteuzzi-srl.com - www.matteuzzi-srl.com

G100 - XL

INFLATION TESTING MACHINE FOR TRUCK TYRES

dimensioni della macchina in servizio

dimensions of the machine in service



Macchina adatta per pneumatici autocarro con le seguenti dimensioni:
Machine suitable for truck tyres having the following sizes:

sezione max.	<i>max. section</i>	600 mm.
diametro esterno Min./ max.	<i>min./max. outer diameter</i>	700 mm. to 1500 mm.
potenza totale installata	<i>total installed power</i>	2.0 kW (3.0 HP)
pressione di gonfiaggio max.	<i>max tyre inflation pressure</i>	10 bar
peso netto	<i>net weight</i>	5700 kg (approx.)

Due to a policy of continuous improvement, the machine may differ from the images shown