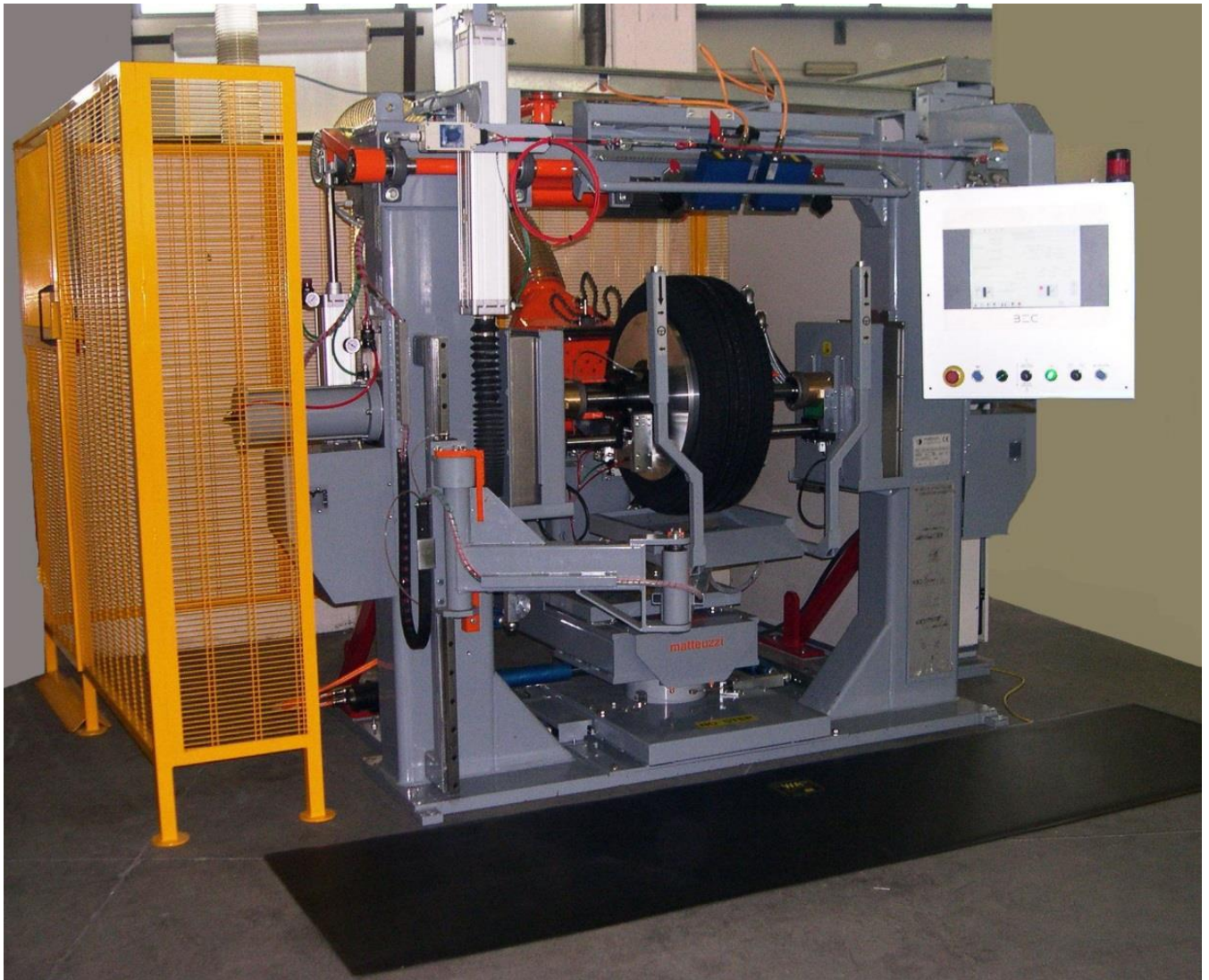


# RRM40-2 VERTICAL GRINDER

FOR CAR AND LIGHT TRUCK TYRES



MACCHINE PER PNEUMATICI E PER I PROCESSI DI RICOSTRUZIONE  
EQUIPMENT FOR THE TYRE AND RETREADING INDUSTRIES

## matteuzzi srl

Via Serra, 1/E  
40012 CALDERARA DI RENO, ITALY  
Phone ++39 – 051726351

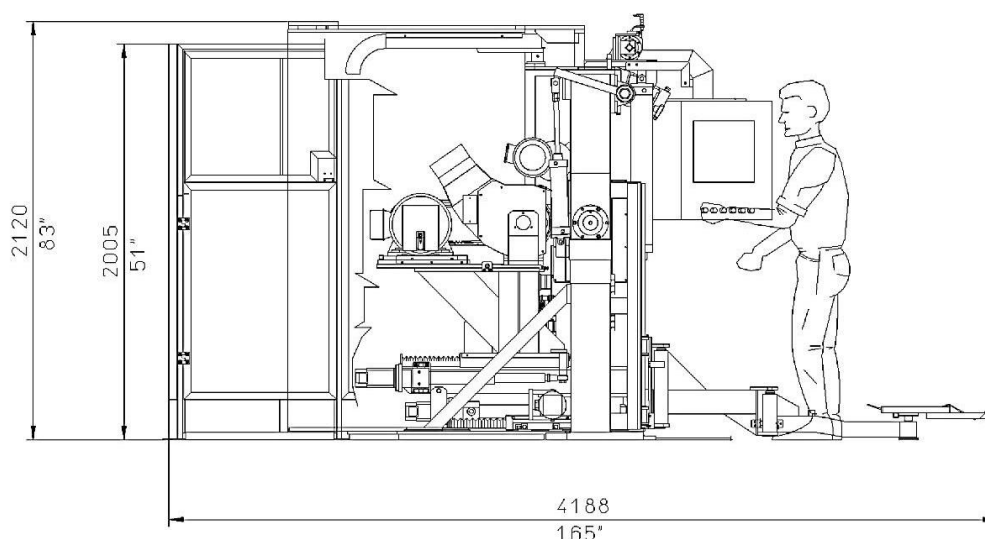
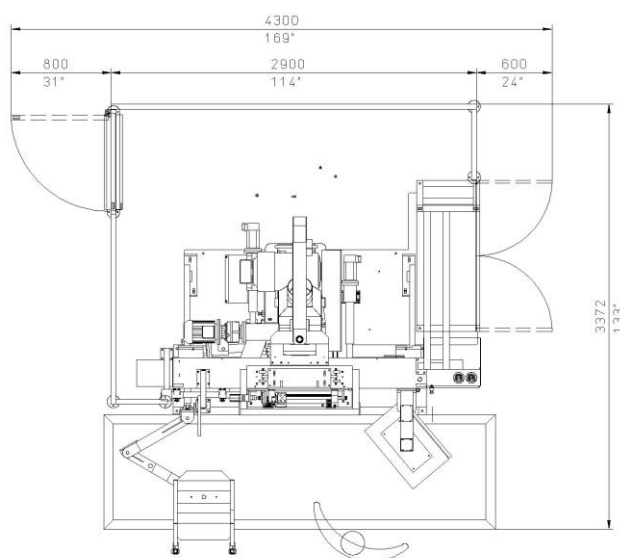
matteuzzi@matteuzzi-srl.com - www.matteuzzi-srl.com

# RRM40-2 VERTICAL GRINDER

## FOR CAR AND LIGHT TRUCK TYRES

DIMENSIONI DELLA MACCHINA IN SERVIZIO

■ DIMENSIONS OF THE MACHINE IN SERVICE



Adatta per pneumatici dal 12" al 25"

Diametro esterno: 21" – 38"

Sezione massima: 16"

Calettaggio: 2" – 14"

■ *Bead dia. Range: 12" up to 25"*

■ *Tyre diameter range: 21" – 38"*

■ *Max. cross section: 16"*

■ *Bead width setting: 2" – 14"*

Due to a policy of continuous improvement, the machine may differ from the images shown