

RAS 20-E/plc BUILDER

PRECURED TREAD BUILDING AND STITCHING MACHINE FOR TRUCK TYRES
with automatic tread tensioning system

MACHINE COMPLETE WITH SWINGABLE TREAD HOLDER



matteuzzi srl

macchine per pneumatici e per i processi di ricostruzione
equipment for the tyre and retreading industries

VIA SERRA 1/E,
40012 CALDERARA DI RENO,
BOLOGNA, ITALY

TEL. ++39 - 051726351

FAX ++39 - 051726283

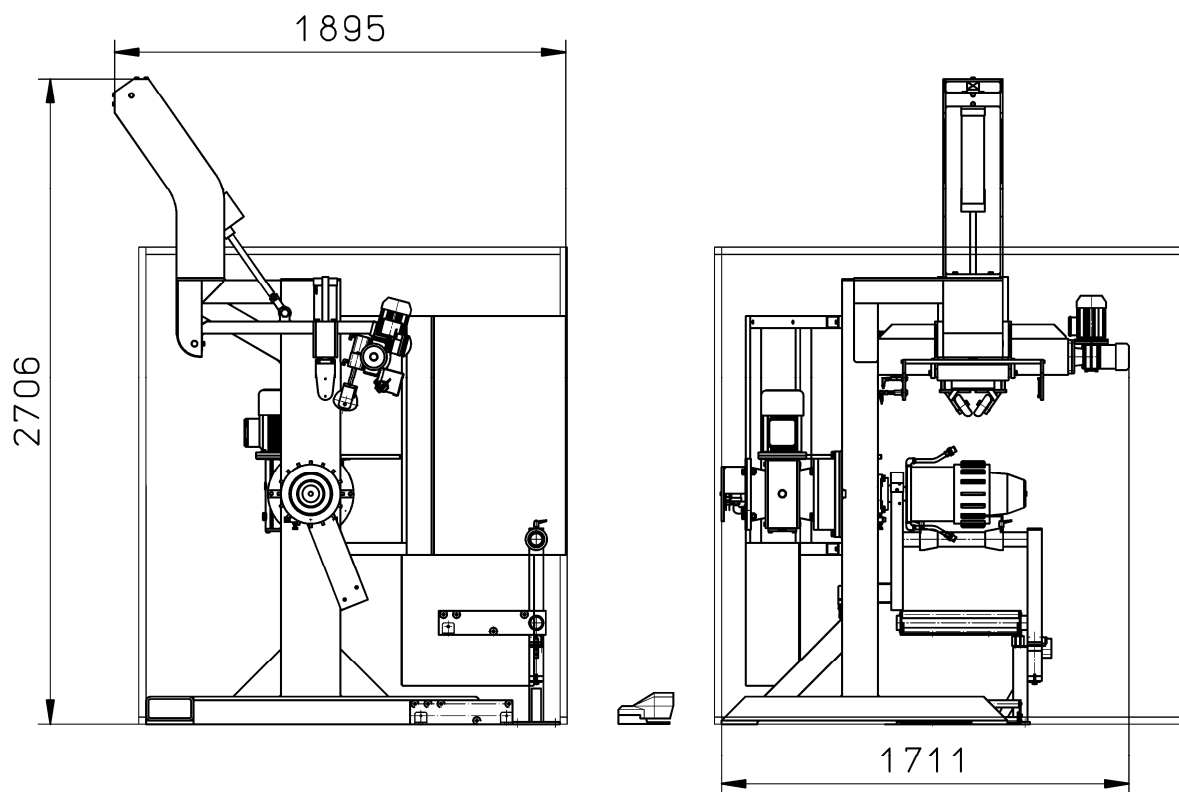
web: www.matteuzzi-srl.com

e-mail: matteuzzi@matteuzzi-srl.com

RAS 20-E/plc BUILDER

dimensioni della macchina in servizio

dimensions of the machine in service



misure dei pneumatici	<i>tyre sizes</i>	14" - 24.5" (compreso/ including 445/65 R 22.5)
potenza totale installata	<i>total installed power</i>	1.98 kw (2.75 hp) circa/approx.
alimentaz. aria compressa	<i>compressed air supply</i>	8 bar (120 PSI)
consumo aria compressa	<i>compressed air absorption</i>	490 NI (18 cu ft) per ciclo / per cycle
peso netto	<i>net weight</i>	1230 kgs (2767 lbs)